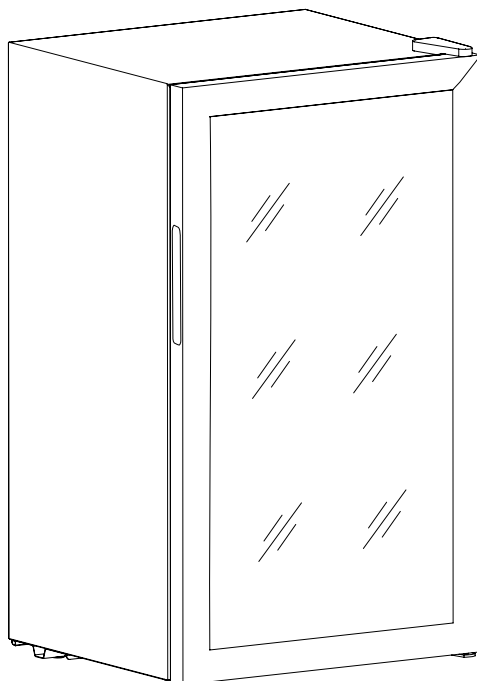


# svan

## Compressor Cooler Operating Instructions

### SVR082C



**BEFORE USE, PLEASE READ AND FOLLOW ALL SAFETY RULES AND OPERATING INSTRUCTIONS.**

## IMPORTANT SAFETY INSTRUCTIONS



To reduce the risk of fire, electrical shock, or injury when using your appliance, follow these basic precautions:

·Before using the appliance, please read this user manual to ensure that you gain the maximum benefit from it.

### **WARNING:**

- 1) This appliance is not intended for use by persons (including children) with reduced physical, sensory or mental capabilities, or lack of experience and knowledge, unless they have been given supervision or instruction concerning use of the appliance by a person responsible for their safety.
- 2) Children should be supervised to ensure that they do not play with the appliance.
- 3) This appliance can be used by children aged from 8 years and above and persons with reduced physical, sensory or mental capabilities or lack of experience and knowledge if they have been given supervision or instruction concerning use of the appliance in a safe way and understand the hazards involved. Children shall not play with the appliance. Cleaning and user maintenance shall not be made by children without supervision.
- 4) If the supply cord is damaged, it must be replaced by the manufacturer, its service agent or similarly qualified persons in order to avoid a hazard.
- 5) To avoid a hazard due to instability of the appliance, it must be fixed in accordance with the instructions.
- 6) When positioning the appliance, ensure the supply cord is not trapped or damaged.
- 7) Do not locate multiple portable socket-outlets or portable power supplies at the rear of the appliance.
- 8) Keep ventilation openings, in the appliance enclosure or in the built-in structure, clear of obstruction.
- 9) Do not use mechanical devices or other means to accelerate the defrosting process, other than those recommended by the manufacturer.
- 10) Do not damage the refrigerant circuit.
- 11) Do not use electrical appliances inside the drink storage compartments of the appliance, unless they are of the type recommended by the manufacturer.
- 12) Do not store explosive substances such as aerosol cans with a flammable propellant in this appliance.
- 13) This appliance is intended to be used in household applications.
- 14) Children aged from 3 to 8 years are allowed to load and unload refrigerating appliances.
- 15) To avoid contamination of drink, please respect the following instructions:
  - Opening the door for long periods can cause a significant increase of the temperature in the compartments of the appliance.
  - Clean regularly surfaces that can come in contact with drink and accessible drainage systems.
  - Clean water tanks if they have not been used for 48 h; flush the water system connected to a water supply if water has not been drawn for 5 days.
  - If the refrigerating appliance is left empty for long periods, switch off, defrost, clean, dry, and leave the door open to prevent mould developing within the appliance.

·Note: This appliance contains flammable refrigerant R600a and foaming agent cyclopentane. Please avoid contact fire when you transport and use it.

Please ask professional for servicing when the machine broke down. Please send it to your local appointed disposal station when you discard it.

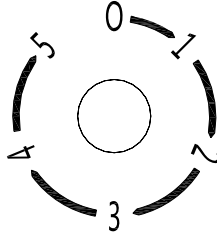
-Save these instructions-

## INSTALLATION INSTRUCTIONS

- This appliance is designed to be free standing only, and should not be recessed or built-in.
- Place your unit on a floor that is strong enough to support the unit when it is fully loaded. To level your unit, adjust the leveling legs at the bottom of the unit.
- This appliance is NOT designed to be installed inside of a cabinet where the front is covered by any type of door.
- Allow 7cm of space between the top, back and sides of the unit.  
maximum bearing of the shelf is 10kg.
- Locate the unit away from direct sunlight and sources of heat (stove, heater, radiator, etc.). Direct sunlight may affect the acrylic coating and heat sources may increase electrical consumption. Extreme cold ambient temperatures may also cause the unit not to perform properly.
- Avoid locating the unit in moist areas.
- Plug the unit into an exclusive, properly installed-grounded wall outlet. Do not under any circumstances cut or remove the third (ground) prong from the power cord. Any questions concerning power and/or grounding should be directed toward a certified electrician or an authorized Products service center.
- After plugging the appliance into a wall outlet, allow the unit to cool down for 2-3 hours before placing food in the APPLIANCE compartment.

## OPERATING YOUR UNIT

### ➤ Setting the Temperature Control



- Your unit has only one control for regulating the temperature in the compartment. The temperature control is located at the upper right hand side of the compartment.
- The first time you turn the unit on, set the temperature control to "5".
- The range of the temperature control is from position "0" to "5". After 24 to 48 hours, adjust the temperature control to the setting that best suites your needs. The setting of "3" or "4" should be appropriate for home or office use.
- To turn the appliance off, turn the temperature control to "0".

#### **NOTE:**

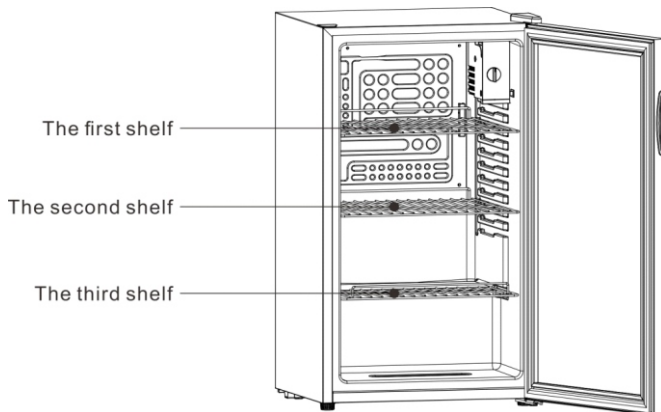
- Turning the temperature control to "0" position stops the cooling cycle but does not shut off the power to the unit.
- If the unit is unplugged, has lost power, or is turned off, you must wait 3 to 5 minutes before restarting the unit. If you attempt to restart before this time delay, the unit will not start.

### ➤ Energy Saving Tips

- The unit should be located in the coolest area of the room, away from heat producing appliances, and out of the direct sunlight.
- Let hot foods cool to room temperature before placing in the unit. Overloading the unit forces the compressor to run longer.
- Be sure to wrap foods properly, and wipe containers dry before placing them in the unit. This cuts down on frost build-up inside the unit.
- Unit storage bin should not be lined with aluminum foil, wax paper, or paper toweling. Liners interfere with cold air circulation, making the unit less efficient.
- Organize and label food to reduce door openings and extended searches. Remove as many items as needed at one time, and close the door as soon as possible.

- It is intended to be used exclusively for the pantry.
- This refrigerating appliance is not suitable for the freezing foodstuffs.
- The pantry is recommended to be designed at 17°C.
- The shelves placed in factory mode is the most efficient use of energy for the refrigerating appliances.
- The following combination of shelves is recommended for energy to be used as efficiently as possible by the refrigeration unit.

***There are **three** shelves in total***



- When the surrounding temperature is 25°C and the pantry has no load, it will take around 30 minutes to decrease the pantry 's temperature from 25°C to 17°C
- The pantry is recommended to be designed at 17°C. The energy consumption is **0.192kWh/24h**. If the setting temperature is higher than 17°C, the energy consumption will be lower. If the setting temperature is lower than 17°C, the energy consumption will be higher.

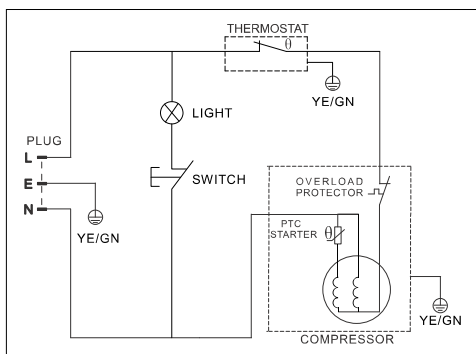
## PROBLEMS WITH YOUR APPLIANCE ?

You can solve many common unit problems easily, saving you the cost of a possible service call. Try the suggestions below to see if you can solve the problem before calling the servicer.

### TROUBLESHOOTING GUIDE

PROBLEM	POSSIBLE CAUSE
Unit does not operate.	Not plugged in. The circuit breaker tripped or a blown fuse. The unit temperature control is set at "0" position.
Turns on and off frequently.	The room temperature is hotter than normal. A large amount of food has been added to the unit. The door is opened too often. The door is not closed completely. The temperature control is not set correctly. The door gasket does not seal properly. The unit does not have the correct clearances.
Vibrations.	Check to assure that the unit is level.
The unit seems to make too much noise.	The rattling noise may come from the flow of the refrigerant, which is normal. As each cycle ends, you may hear gurgling sounds caused by the flow of refrigerant in your unit. Contraction and expansion of the inside walls may cause popping and crackling noises. The unit is not level.
The door will not close properly.	The unit is not level. The door was reversed and not properly installed. The gasket is dirty or bent. The shelves, bins, or baskets are out of position.

## WIRING DIAGRAM



## TECHNICAL DATA

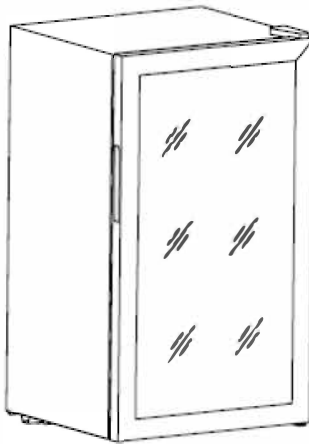
MODEL	SVR082C
VOLUME	80L
RATED VOLTAGE	220-240V~ 50Hz
RATED CURRENT	0.6A
REFRIGERANT	R600a(20g)
LAMP POWER	10W
CLIMATE CLASS	N
DIMENSION(MM)	435x474x840
PACKING(MM)	465x510x875
NET WEIGHT(KG)	24
GROSS WEIGHT(KG)	26
-32°C ± 2°C on appliances of climatic class 0, 1, 2, 3, 4, 6 or 8. -43°C ± 2°C on appliances of climatic class 5 or 7.	

# svan

## TABLE TOP CON PUERTA DE CRISTAL 82L

**Manual de instrucciones**

**Modelo: SVR082C**



LEA LAS NORMAS DE SEGURIDAD ANTES DE USAR Y LEA Y SIGA LAS INSTRUCCIONES DE ESTE MANUAL.

## INSTRUCCIONES DE SEGURIDAD IMPORTANTES

**ADVERTENCIA:** Par reducir el riesgo de incendio, descargas eléctricas o lesiones mientras utiliza la vinoteca, por favor, siga las siguientes instrucciones:

- Lea todas las instrucciones antes de usar el aparato.
- Si el cable de alimentación está dañado, debe ser reemplazado por el fabricante, por un servicio técnico cualificado o por una persona autorizada, con el fin de evitar cualquier tipo de daño.
- Este aparato no ha sido diseñado para que lo utilicen niños o personas que tengan mermodas sus capacidades físicas, sensoriales o mentales, o que carezcan de la experiencia y los conocimientos necesarios, a menos que estén supervisados o hayan recibido instrucciones relativas al uso de este electrodoméstico por una persona responsable de su seguridad.
- Los niños deben ser supervisados para asegurarse de que no jueguen con el aparato.
- Este aparato está diseñado para uso doméstico exclusivamente.

**ADVERTENCIA:** Para evitar cualquier peligro o daño, el producto tiene que ser instalado de acuerdo con estas instrucciones.

### **IMPORTANTE:**

- Si desea aumentar la humedad en el interior de su vinoteca puede colocar un recipiente con agua.
- Este producto debe instalarse en un suelo horizontal y mantener la libre ventilación. No trate de reemplazar o reparar cualquier componente por sí mismo. Póngase en contacto con el servicio técnico oficial o autorizado.

## RECICLAJE DEL PRODUCTO



Para evitar posibles daños al medio ambiente o a la salud de las personas, por la incorrecta e incontrolada eliminación de residuos, se debe reciclar correctamente para promover así la reutilización sostenible de recursos materiales. El reciclaje sólo debe hacerse a través de puntos de recogida autorizados para ese fin.

## INSTRUCCIONES DE INSTALACIÓN

- Este producto no está diseñado para ser empotrado. Mantenga una distancia de 50mm entre la parte trasera del aparato y la pared, y de 100mm entre los laterales y otros objetos o paredes para permitir así la circulación de aire necesaria para enfriar el compresor y la condensadora.
- Asegúrese que el suelo donde se instala el producto es lo suficientemente firme y estable para soportar todo el peso, en su máxima capacidad de almacenaje. Para instalar a nivel su vinoteca, puede ajustar las patas niveladoras, en la parte inferior de la unidad.



- Este aparato no está diseñado para ser instalado en el interior de un armario, donde la parte frontal pueda estar cubierta por cualquier tipo de puerta.
- No instalar la unidad donde pueda recibir luz solar directa y tampoco cerca de fuentes de calor como; (cocina, calefacción, radiador, etc.). La luz solar directa puede afectar el recubrimiento acrílico y las fuentes de calor, pueden aumentar el consumo. Las bajas y altas temperaturas pueden también influir en el correcto funcionamiento del producto.
- Evitar la instalación de la unidad en espacios húmedos.
- Conecte esta unidad en un enchufe único, y asegúrese que tenga toma de tierra. En ninguna circunstancia corte o retire la tercera pata (tierra) del cable de alimentación. Cualquier duda relacionada con la instalación eléctrica o de la toma a tierra deben ser dirigidas a un electricista certificado o autorizado.
- Después de conectar la vinoteca a la red eléctrica, dejar que la unidad se enfríe durante 2-3 horas antes de colocar cualquier botella en su interior.
- Las estanterías solo soportan un máximo de 10kg.

## MODO DE EMPLEO



Este aparato sólo tiene un regulador de temperatura para el compartimento. El regulador de temperatura está colocado en la parte superior derecha del compartimento.

El rango del regulador de la temperatura oscila entre 0 y 5.

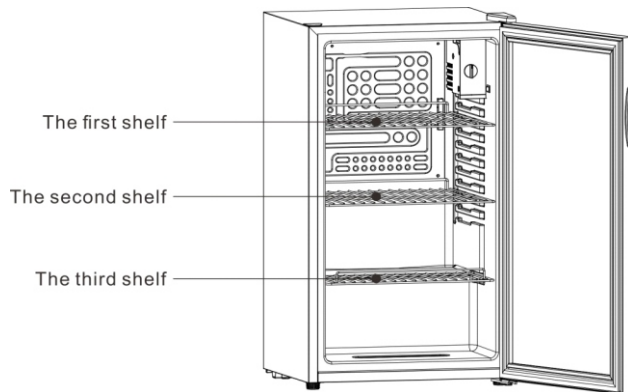
- La primera vez que encienda el aparato, seleccione “5”.
- Después de entre 24 y 48h seleccione la posición de temperatura que más se ajuste a sus necesidades. Las posiciones “3” y “4” son las más adecuadas para fines domésticos.
- Para apagar la unidad, ajuste la temperatura a “0”. Nota: Estableciendo la temperatura a “0” se para el ciclo de enfriamiento, pero no se apaga el aparato. El aparato solo se desconecta si lo desenchufa de la luz o si hay un fallo en la corriente eléctrica.
- En caso de fallo eléctrico: apague la unidad, espere 5 minutos y vuélvala a encender. Si no espera 5 minutos, la unidad podría no encenderse.

## CONSEJOS PARA AHORRAR ENERGÍA

- La vinoteca debe estar ubicada en la zona más fría de la habitación. Mantenerla alejada de los aparatos que puedan desprender calor y de la luz solar directa.
- El papel de aluminio, papel de cera o servilletas de papel no se debe almacenar en la vinoteca, ya que son posibles materiales que van a poder bloquear la salida de aire y aumentar el consumo de energía. Por este mismo motivo no se recomienda guardar objetos que no sean botellas.

- Su uso está destinado exclusivamente para la despensa, y no para el almacenamiento de alimentos.
- Este aparato de refrigeración no está diseñado para congelar productos alimenticios.
- Se recomienda usar el refrigerador a partir de los 17°C.
- Los aparatos refrigeradores serán energéticamente más eficientes con los estantes colocados en fábrica.
- Si utiliza la combinación de compartimentos predeterminado por fábrica, el uso del aparato de refrigeración será más eficiente.

***El producto cuenta con 3 bandejas***



- Cuando la temperatura ambiente es de 25°C y el refrigerador no tiene carga, tomará alrededor de 30 minutos disminuir la temperatura del producto de 25°C a 17°C.
- El refrigerador está diseñado y recomendado para usarse a partir de los 17°C. El consumo de energía es de 0.192 kWh / 24h. Si la temperatura de ajuste es superior a 17°C, el consumo de energía será menor. Si la temperatura de ajuste es inferior a 17°C, el consumo de energía será mayor.

# Product Information Sheet

COMMISSION DELEGATED REGULATION (EU) 2019/2016

**Supplier's name or trademark:** SVAN

**Supplier's address:** C/ CIUDAD DE CARTAGENA, 20. P.I. FUENTE DEL JARRO 20, 46988 PATERNA VALENCIA, ES

**Model identifier:** SVR082C

**Type of refrigerating appliance:**

Low-noise appliance:	Yes	Design type:	freestanding
Wine storage appliance:	No	Other refrigerating appliance:	No

**General product parameters:**

Parameter	Value	Parameter	Value
Overall dimensions (millimetre)	Height	840	Total volume (dm <sup>3</sup> or l)
	Width	474	
	Depth	440	
EI	89	Energy efficiency class	E
Airborne acoustical noise emissions (dB(A) re 1 pW)	41	Airborne acoustical noise emission class	C
Annual energy consumption (kWh/a)	70	Climate class:	temperate
Minimum ambient temperature (°C), for which the refrigerating appliance is suitable	16	Maximum ambient temperature (°C), for which the refrigerating appliance is suitable	32
Winter setting	No		

**Compartment Parameters:**

Compartment type	Compartment parameters and values				
	Compartment volume (dm <sup>3</sup> or l)	Recommended temperature setting for optimised food storage (°C) These settings shall not contradict the storage conditions set out in Annex IV, Table 3	Freezing capacity (kg/24h)	Defrosting type (auto-defrost=A, manual defrost=M)	
Pantry	No	-	-	-	-
Wine storage	No	-	-	-	-
Cellar	No	-	-	-	-
Fresh food	No	-	-	-	-
Chill	No	-	-	-	-
0-star or ice-making	No	-	-	-	-
1-star	No	-	-	-	-
2-star	No	-	-	-	-
3-star	No	-	-	-	-
4-star	No	-	-	-	-
2-star section	No	-	-	-	-
Variable temperature compartment	-	-	-	-	-

**Light source parameters:**

Type of light source	-
Energy efficiency class	-

**Minimum duration of the guarantee offered by the manufacturer:** -

**Additional information:**

**Webink to the manufacturer's website, where the information in point4(a) Annex of Commission Regulation (EU) 2019/2019 is found:** -